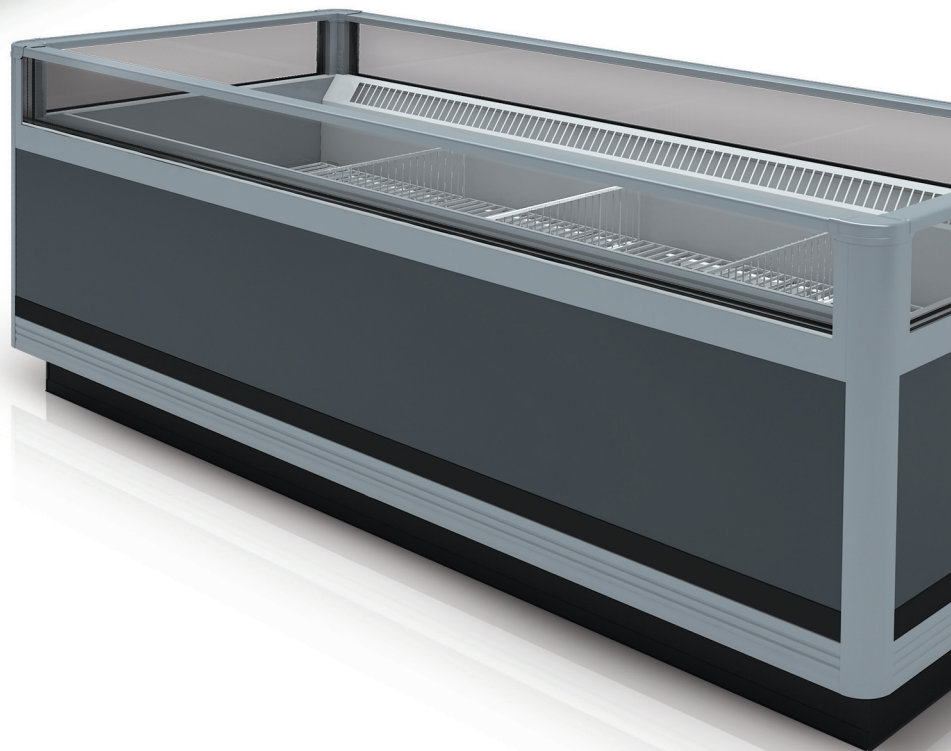
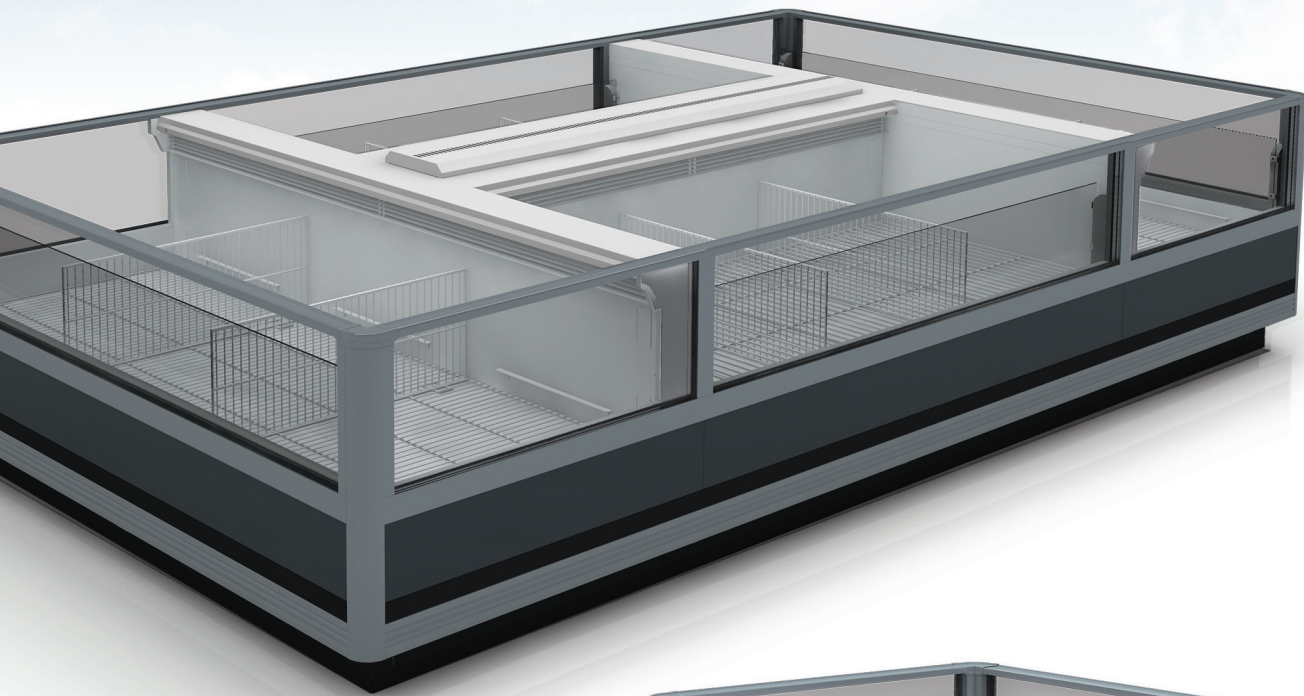
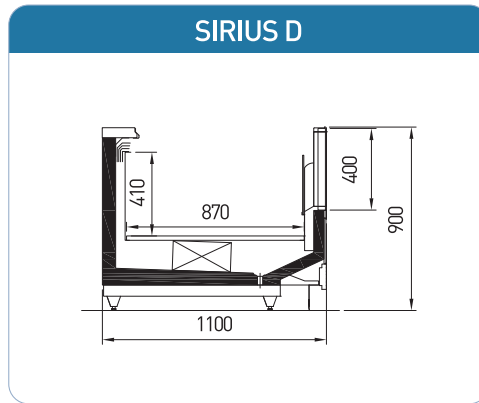
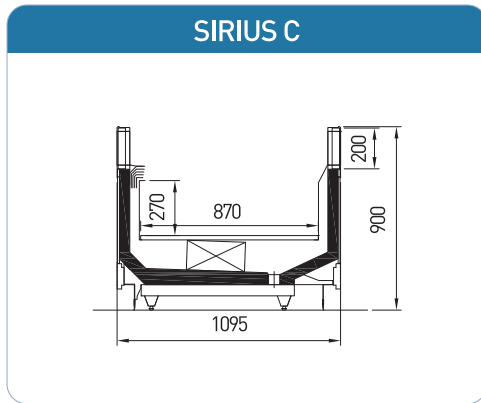
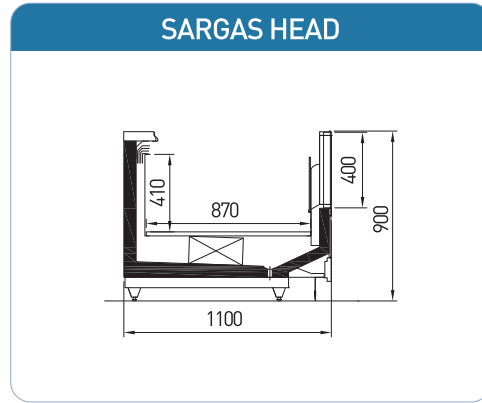
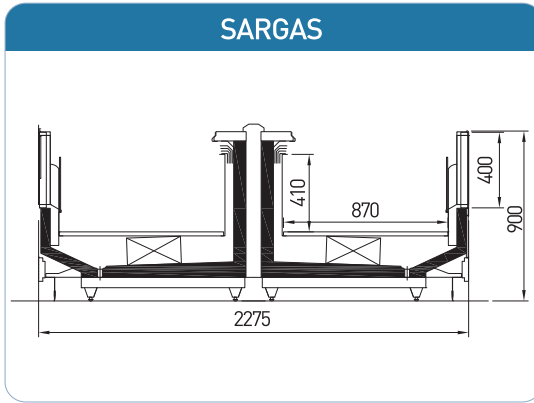
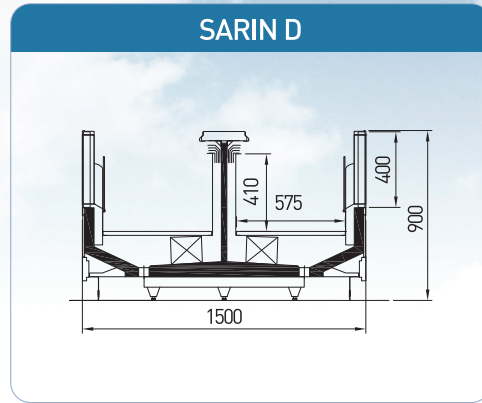
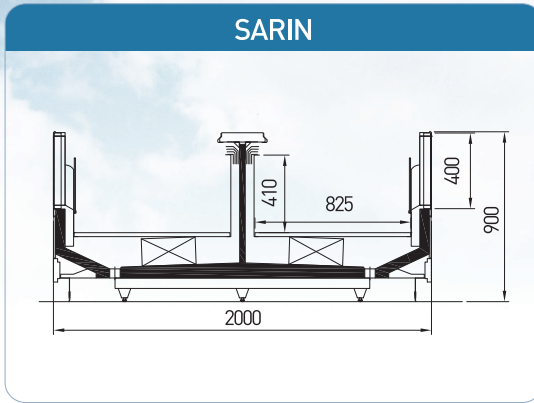


SARIN ▶ SARGAS ▶ SIRIUS





SARIN D	Length (mm)			
	1875	2500	3750	1500 ^{Head}
400	◆	◆	◆	◆
Side wall thickness (mm)	50			
Temperature	L1 (-15 / -18°C); L2 (-12 / -18°C)			

SARIN	Length (mm)			
	1875	2500	3750	2000 ^{Head}
400	◆	◆	◆	◆
Side wall thickness (mm)	50			
Temperature	L1 (-15 / -18°C); L2 (-12 / -18°C)			

SARGAS	Length (mm)			
	2500	3750	2275 ^{Head}	2600 ^{Head}
400	◆	◆	◆	◆
Side wall thickness (mm)	50			
Temperature	L1 (-15 / -18°C); L2 (-12 / -18°C)			

SIRIUS	Length (mm)	
	2500	3750
C	◆	◆
D 400	◆	◆
Side wall thickness (mm)	50	
Temperature	L1 (-15 / -18°C); L2 (-12 / -18°C)	

- ▶ TEKSO teknik özellikler ve aksesuarları değiştirme hakkını saklı tutar.
- ▶ TEKSO reserves the right to change any technical details or access ories without previous notice.

