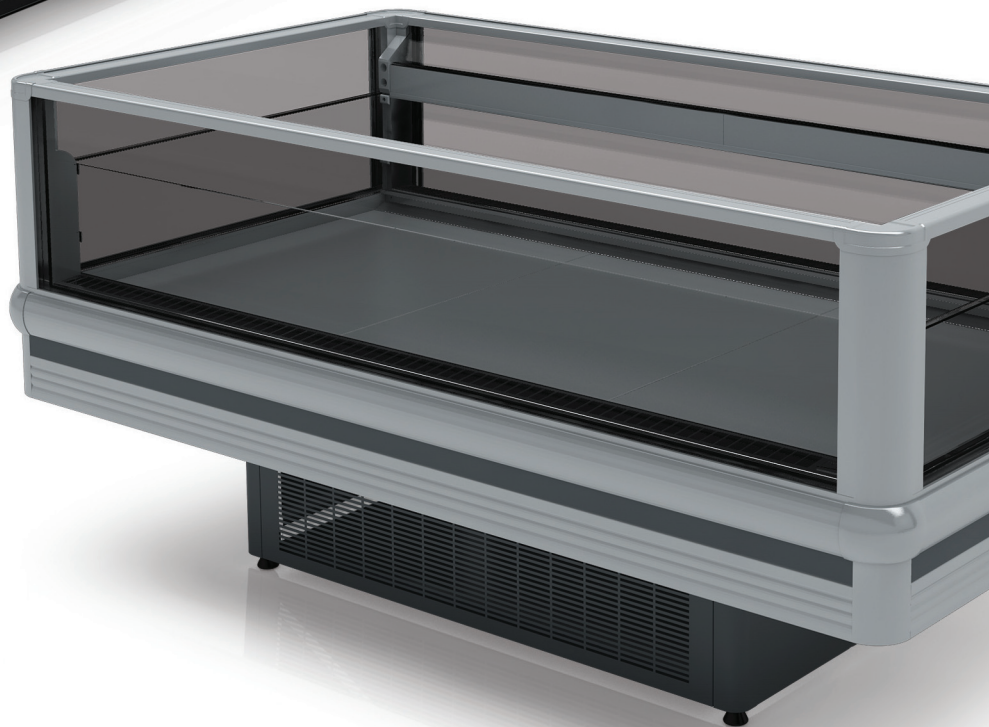
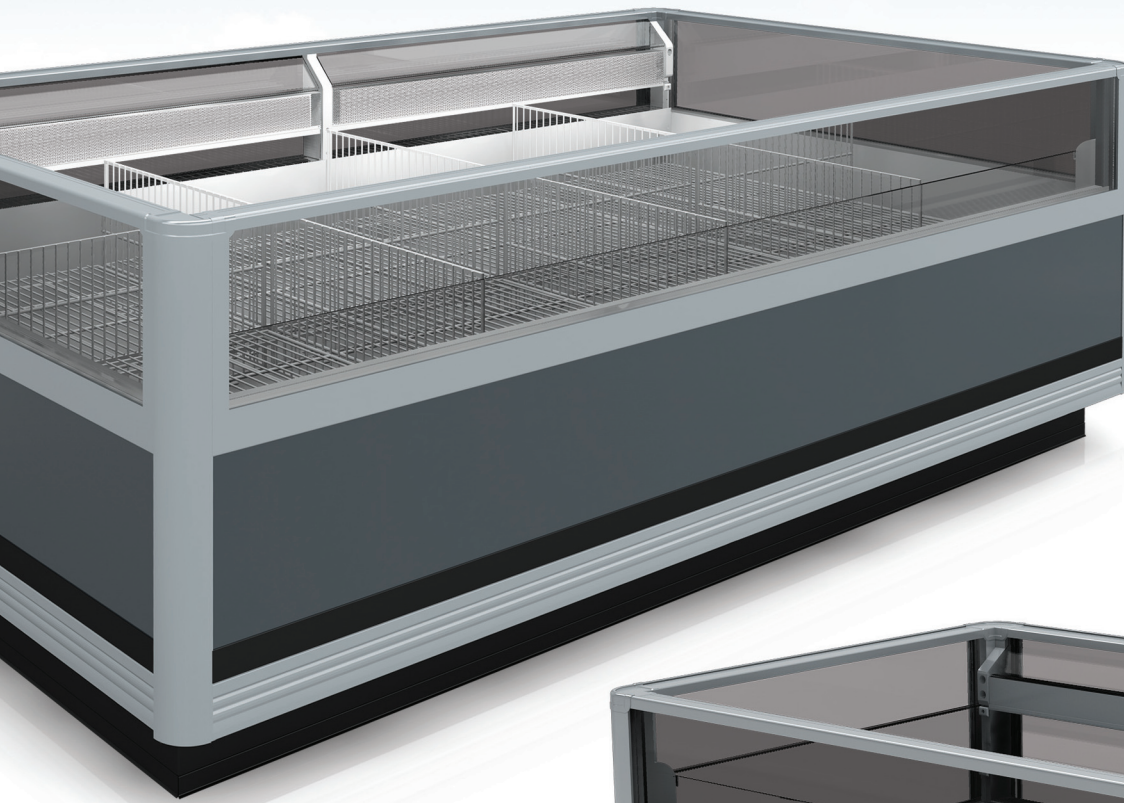
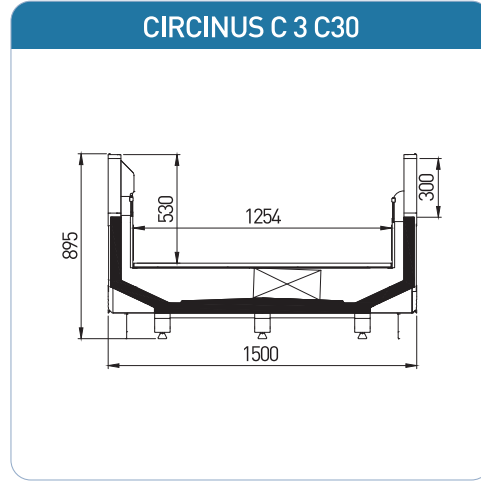
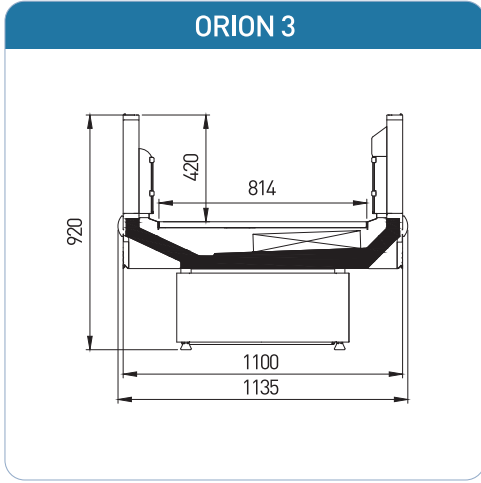


ORION ▶ CIRCINUS





| ORION 3 | Length (mm) | |
|--------------------------|------------------|------|
| | C | 1350 |
| Side wall thickness (mm) | 50 | |
| Temperature | L2 [-12 / -18°C] | |

| CIRCINUS | Length (mm) | |
|--------------------------|------------------------------------|------|
| | C | 2500 |
| Side wall thickness (mm) | 50 | |
| Temperature | L1 [-15 / -18°C]; L2 [-12 / -18°C] | |

- ▶ TEKSO teknik özellikler ve aksesuarları değiştirme hakkını saklı tutar.
- ▶ TEKSO reserves the right to change any technical details or accessories without previous notice.



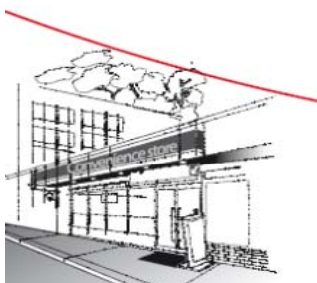


ORION

REFRIGERATED DISPLAY CABINETS - ISLANDS *bi-temp. plug-in*



Technical Data Sheet



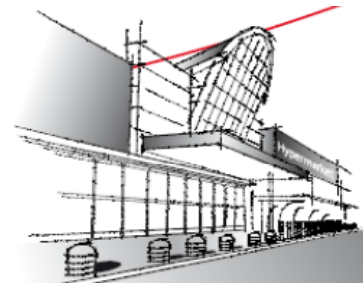
English



ISO 9001:2008

Tekso Quality Assurance Department

February, 2012 rev01



TECHNICAL DATA SHEET

CLIMATE CLASS 3 : 25° C - 60% RH (EN ISO 23953-1 / EN ISO 23953-2)
 CLIMATE CLASS 4 : 30° C - 55% RH (EN ISO 23953-1 / EN ISO 23953-2)

| | Modules | | Unit | 1375 | 2000 | |
|--|---|--|----------------|--------|-------------------------------|--------------------|
| Dimensions | Length of Module <i>without endwall</i> | | mm | 1250 | 1875 | |
| | Thickness of Endwall | | | 62,5 | | |
| | Total Display Area (TDA) | | m ² | 1,08 | 1,61 | |
| | Display Opening Area | | | 1,08 | 1,61 | |
| | Net Volume | | liter | 280 | 419 | |
| Refrigeration Data | Refrigeration Load | 3M1 | T evap: -9°C | W | 1290 | 1475 |
| | | 4M1 | T evap: -12°C | | 1255 | 1450 |
| | | 3L1 | T evap: -30°C | | 915 | 1110 |
| | | 4L1 | T evap: -32°C | | 865 | 1065 |
| | Expansion Valve and Nozzle (Danfoss TEV) | (R134a) (3M1, 4M1 - 3L1, 4L1) | | type | Capillary Tube (R404A) | |
| | | (R404A) (3M1, 4M1 - 3L1, 4L1) | | | | |
| Expansion Valve and Nozzle (Danfoss AKV) | (R134a) (3M1, 4M1 - 3L1, 4L1) | | | | | |
| | (R404A) (3M1, 4M1 - 3L1, 4L1) | | | | | |
| Electrical Data | Lighting | Standart (T8) <i>canopy single row</i> | | W | N/A | N/A |
| | | Optional (T5) <i>canopy single row</i> | | | N/A | N/A |
| | | Optional (LED) <i>canopy</i> | | | N/A | N/A |
| | Heaters | Trim heater glass | | W | 208 | 242 |
| | | Defrost heater | | | 1550 | 2300 |
| | | Vaporizing container heater | | | N/A | N/A |
| | Fan Motor | Axial compact fan (<i>standart</i>) | | W | 25 | 50 |
| Antimist fan | | N/A | N/A | | | |
| info | All datas are based on non lighting handrails | | | | | |
| Recommended Setting Parameters & Temperature Classes | Compressor Regulation Parameters | | | | | |
| | Compressor cut out temperature (supply air temperature) | 3M1 / 4M1 (ti: -1/1 °C) | °C | -7 | | |
| | Compressor cut in temperature (supply air temperature) | | | -5 | | |
| | Compressor cut out temperature (supply air temperature) | 3L1 / 4L1 (ti: -18/-15 °C) | °C | -28 | | |
| | Compressor cut in temperature (supply air temperature) | | | -26 | | |
| | Defrost Regulation Parameters | | | | | |
| | Defrost interval time | 3M1 / 4M1 | | hour | 8 | |
| | | 3L1 / 4L1 | | | 12 | |
| | Defrost endurance time | | | minute | 45 | |
| | Defrost termination temperature | 3M1 / 4M1 | | °C | 12 | |
| | | 3L1 / 4L1 | | | 8 | |
| | Fan Regulation Parameters | | | | | |
| | Fan cut in during defrost | | | - | YES (ON) | |
| | Alarm Regulation Parameters | | | | | |
| | High temperature alarm | | | °C | 15 | |
| | Low temperature alarm | | | °C | -35 | |
| | Power-on alarm override | | | | 1 | |
| | Defrost alarm override | | | minute | 20 | |
| | Temperature alarm override | | | | 30 | |
| | Temperature Classes | | | | Highest Temperature | Lowest Temperature |
| M1 | | | °C | +5 | -1 | |
| L1 | | | °C | -15 | -18 | |

SECTIONAL VIEW

